



Inductive Proximity Sensor/Switch Datasheet

CGM4-8GM Series DC Cylinder-shaped Proximity Sensor with Longer Sensing Distance

Introduction

- Inductive proximity switch is a device for realizing the non-electrical measurement by inductive winding or the change of coefficient of mutual induction.
- It has high resolution and accuracy for the monitoring and measurement of presence, movement and position of metallic objects.
- The operating distance of the sensor depends on the coil's size as well as the target's shape, size and material.
- It is divided into two categories according to the working state :
NO - Normal Open type,
NC - Normal Close type

Features:

- ◆ Longer sensing distance, can be installed in narrow space, mechanical tolerances or through the protective film used in detection.
- ◆ Power supply reversal connection protection; short-circuit protection, can directly connect with PLC
- ◆ Newly added current over-load protection; the elements are made of imported chip
- ◆ Long service life, high reliability and strong resistance property to environment
- ◆ Red LED indicates that it's available to detect the sensor operating state
- ◆ Full thread shape to enlarge the installation space; can use wrench and clamp directly
- ◆ Countermeasure to improve the housing intensity and to solve disconnection
- ◆ IP67 protection structure(IEC specification)

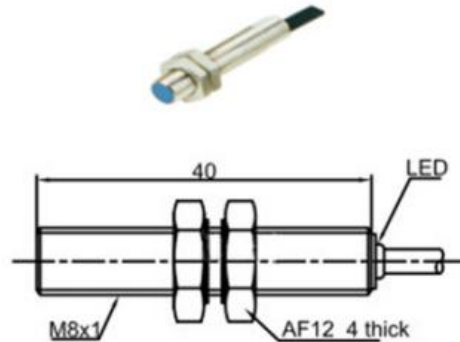
Ordering Part Number:

Model	Detection distance	Switch point function	Working voltage
CGM4-8GM-N1	4mm±10%	NPN NO	DC6-36V
CGM4-8GM-N2	4mm±10%	NPN NC	DC6-36V
CGM4-8GM-P1	4mm±10%	PNP NO	DC6-36V
CGM4-8GM-P2	4mm±10%	PNP NC	DC6-36V
CGM4-8GM-D1	4mm±10%	DC NO	DC10-30V
CGM4-8GM-D2	4mm±10%	DC NC	DC10-30V
CGM4-8GM-A1	4mm±10%	AC NO	AC90-250V
CGM4-8GM-A2	4mm±10%	AC NC	AC90-250V



Inductive Proximity Sensor/Switch Datasheet

Structure Parameter:



Technical Parameter:

Rated action distance (Sn)	4mm
Installation	Flush-mounting
Reliable movement distance (Sa)	0~3.6mm
Response frequency (N.P)	0.4kHz
Response frequency (D)	0.5kHz
Response frequency (A)	25HZ
Hysteresis (H)	Typical values%
Reverse polarity protection	Yes
Short circuit protection	Pulse
Leakage current (Ir)	0~0.5mA typical values 0.1uA, 25°C
No-load current (I _D)	≤15mA
Insulation impedance	50M Ω
Indicator light	Red LED
environment temperature	-25°C~70°C (248-343K)
Connection form	2m, PVC
Shell material	Brass, Nickel plating
Induction surface	PBT
Protection grade	IP65
Standard	EN 60947-1:2004

Remarks:

- Inductive proximity sensors detect the metallic objects.
- The detection distance may fluctuate with the different materials of the detected target. Custom design in the different rated input current and the output voltage are available.
- Both the configuration parameters and the cable length can be customized. Standard cable length 2M.
- If no explicit requirement for the output polarity, the proximity sensor will be supplied based on NPN mode.

WARNING : Incorrect wiring may cause damage to the sensor.